



# Aviation Technical Bulletin

<b>Route to:</b>	
SERVICE MANAGER	
SALES MANAGER	
BULLETIN BOARD	

Bringing Power to Flight

March 1991

91-3

## LYCOMING SERVICE INSTRUCTION #1442

Champion recommends compliance with the following service instruction.

### **TEXTRON** Lycoming

Williamsport Plant  
Textron Lycoming/Subsidiary of Textron Inc.  
652 Oliver Street  
Williamsport, PA 17701 U.S.A.

## SERVICE INSTRUCTION

DATE: February 21, 1990

Service Instruction No. 1442  
Engineering Aspects are  
FAA Approved

SUBJECT: Improved Oil Filter Bypass Valve

MODELS AFFECTED: All Textron Lycoming piston engines with dual magneto accessory housing.

TIME OF COMPLIANCE: At next overhaul or evidence of a filter element collapse.

Reports from the field have disclosed the possibility of oil filter elements collapsing, particularly on cold starts. As a product improvement, a new Spring, P/N 55C21021 and Spacer, P/N 55K21022 are to be used at time of overhaul. See Figure 1 for proper installation of all bypass valve parts.

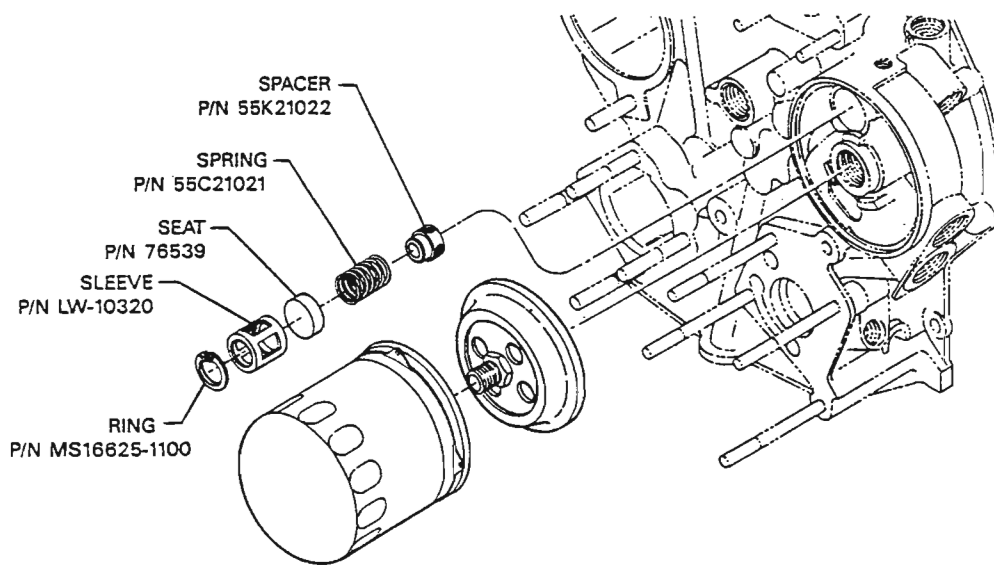


Figure 1. Oil Filter Bypass Valve Installation