



Aviation Technical Bulletin

Route to:

SERVICE MANAGER	
SALES MANAGER	
BULLETIN BOARD	

Bringing Power to Flight®

January 1997

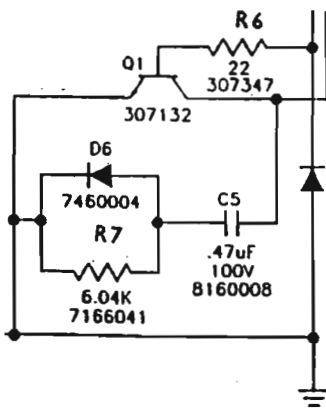
#97-1

ATTENTION: All JT15D Operators

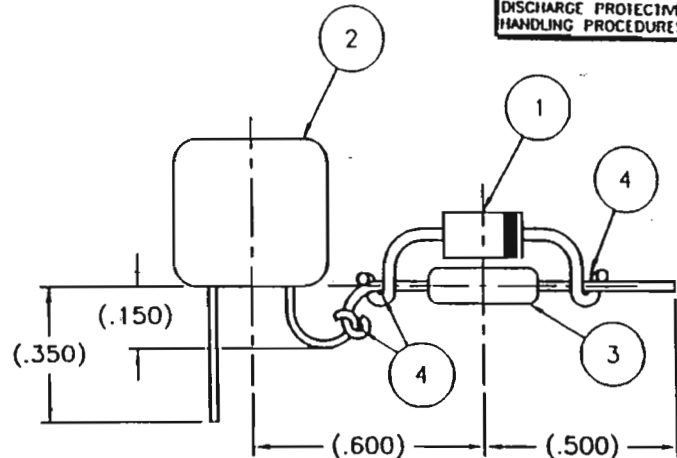
Effective immediately Champion Exciter part number 305013 (PWC part number 3037865) has been changed to CH92028 (PWC part number 3041996-01).

To prevent exciter damage, a snubber comprised of our R7, C5 and D6 was introduced across Q1 C-3 junction. The passive RC diode network squelches voltage spikes generated by T2 primary preventing excess V_{ce} . Since the switching transistor is mounted on a heat sink which is integral part of the housing the addition of snubber is very straight forward. The provided sketch illustrates how RC and diode are attached to standard exciter transistor across collector-emitter leads. The assembly is insulated from the (ground) heat sink surface with a Nomex spacer. Snubber assembly is held in place by foam sealant (potting compound) which is identical to prior 305013 part number.

All part number 305013 exciters returned for repair or exchange will be upgraded at time of rebuild to the new Champion part number CH92028.



CMM 74-11-01



4	210010	Solder, SN63
3	7166041	Resistor
2	8160008	Capacitor, Ceramic
1	7460004	Diode, Fast Recovery

Contact your Champion Aviation distributor for price and delivery.

Champion Aviation Products: Your Blueprint for Performance