

TO: Aircraft Manufacturers, Aircraft Engine Manufacturers, Distributors, Dealers, Engine Maintainers, Engine Overhaul Facilities, Owners and Operators of Slick Aircraft Magnetos.

SUBJECT: Mandatory inspection of impulse coupled Slick magnetos

MAGNETO MODELS

AFFECTED: The following magneto models with serial numbers between 16010001 and 18050664:

4301, 4303, 4316, 4330, 4333, 4346, 4354, 4371, 4372, 4373, 4374, 4381, 4392, 6310, 6314, 6320, 6324, 6331, 6351, 6352, 6355, 6361, 6362, 6364, 6367, 6377, 6379, 6380, 6382, 6399

NOTE: 16010001 = SN manufacture date of January 2016 and
18050664 = SN manufacture date of May 2018

ENGINE MODELS

AFFECTED: 4300 series and 6300 series magnetos.

AIRFRAME MODELS

AFFECTED: 4300 series and 6300 series magnetos.

BACKGROUND INFORMATION:

There have been limited reports in which impulse coupling stop pins have moved relative to the factory placement within the magneto frame of Slick magnetos. There has been one report of a liberated stop pin. A liberated stop pin could potentially enter the gear train of the engine, resulting in damage to the gear train, damage to engine accessories and could ultimately cause catastrophic engine failure.

COMPLIANCE: Inspect affected magneto models for movement of impulse coupling stop pin at the next convenient maintenance interval, not to exceed the next 100 hours or 400 hours Time in Service (TIS), and every 500 hours thereafter. Alternatively, replace the affected magneto with an approved model magneto, outside the above serial number range, or compliant with the SB1-19A dimensions herein for the stop pin. Document service bulletin compliance as written entry in the applicable Aircraft and/or Engine logbook.

PROOF OF COMPLIANCE:

Appropriate logbook entries. See SB1-19A COMPLIANCE and WARRANTY INFORMATION.

MAINTENANCE PARTS AFFECTED:

None.

PARTS REQUIRED PER BULLETIN:

Replacement magnetos as required.

TOOLS REQUIRED:

T-118 mag timing pin, mag timing light, calibrated measuring device, and standard shop tools.

Proprietary Statement

The information contained in this document is proprietary property of Champion Aerospace LLC. Receipt or possession of this information does not confer, license or imply any rights to use, sell or manufacture from this information. No reproduction of publication, in whole or in part, shall be made without the express written consent of Champion Aerospace LLC. All information is covered under full protection of the United States copyright laws.

Copyright ©2021, Champion Aerospace LLC. All rights reserved.

SUBJECT TO THE EAR, ECCN 9E991. THIS INFORMATION IS SUBJECT TO THE EXPORT CONTROL LAWS OF THE UNITED STATES, SPECIFICALLY INCLUDING THE EXPORT ADMINISTRATION REGULATIONS (EAR), 15 C.F.R. PART 730-744. TRANSFER, RETRANSFER, OR DISCLOSURE OF THIS DATA BY ANY MEANS TO A NON-U.S. PERSON (INDIVIDUAL OR COMPANY), WHETHER IN THE UNITED STATES OR ABROAD, WITHOUT ANY REQUIRED EXPORT LICENSE OR OTHER APPROVAL FROM THE U.S. GOVERNMENT IS PROHIBITED, INCLUDING WITHOUT LIMITATION ANY DIVERSION TO A MILITARY END USER OR USE IN A MILITARY APPLICATION.

ISSUED			REVISED			Champion Aerospace LLC 1230 Old Norris Road Liberty, SC/USA 29657 ©2021 Champion Aerospace LLC	PAGE NO.	REVISION
MO	DAY	YR	MO	DAY	YR		1 of 8	A
02	06	19	12	28	21			

WEIGHT CHANGE: None.

REQUIRED SERVICE LITERATURE:

Refer to the latest revision of Champion Slick F-1100 Master Service Manual, as applicable, when performing the detailed instructions contained in this Service Bulletin.

WARRANTY INFORMATION:

NOTE: Labor is not included per Champion warranty policy.

If the magneto is within the listed S/N range and fails the inspection within these DETAILED INSTRUCTIONS, the magneto should be returned for warranty consideration. Return directions follow.

- Ship to:
Champion Aerospace LLC
5746 East Apache Street
Tulsa, OK 74115
ATTN: Slick SB1-19A Returns

Refer to the SB1-19A repair authorization form, located at the end of this service bulletin. Champion waives the published warranty limits for TIS and calendar period for parts affected by this Service Bulletin. Champion's authorized repair center will issue the customer a new replacement magneto after final receipt of magneto and confirmation of the required measurement. Champion reserves the right to deny warranty and return magneto if measurements are subsequently found to be compliant with the Service Bulletin. Please note a no fault service fee will apply.

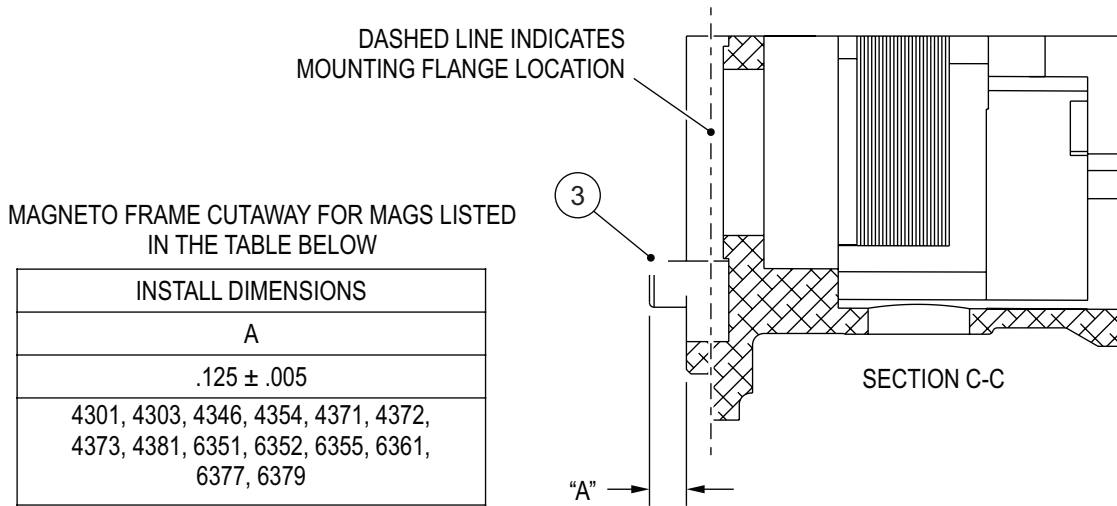
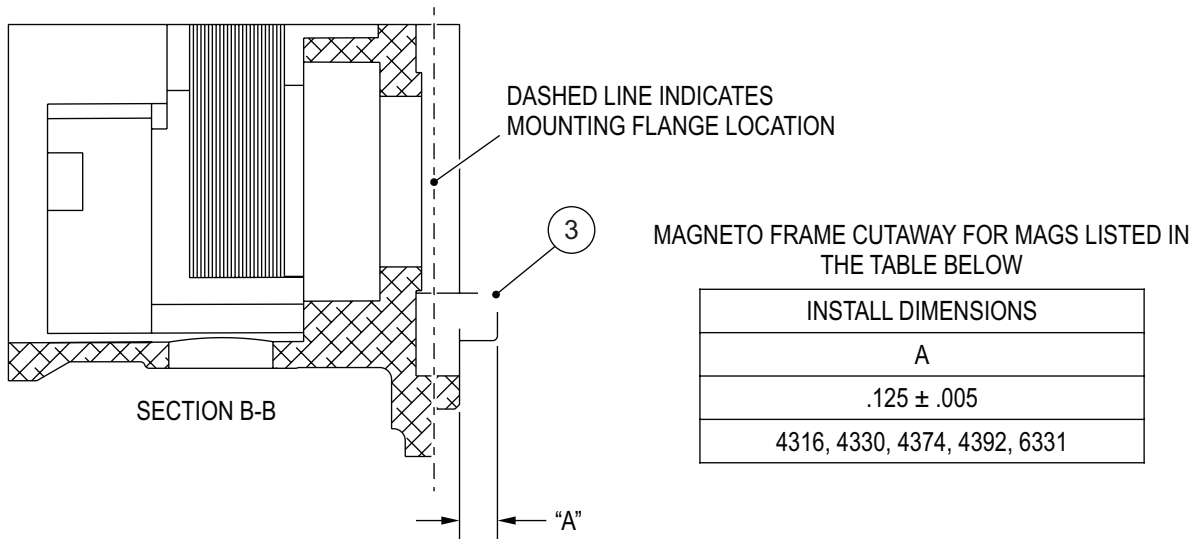
DETAILED INSTRUCTIONS:

Repair authorization form SB1-19A must include name, shipping address, model number, serial number of the magneto(s) being returned and TIS information in the box with the magneto(s). (Distributors have warranty forms)

- Do not leave drive gears installed on the magneto(s). Champion cannot guarantee return of these components
 - A. Locate magneto serial number on magneto dataplate. If magneto serial number is determined to be within the range specified in this bulletin, remove the magneto from engine in accordance with the latest revision of the engine manufacturer's manual(s).
 - B. Inspect the magneto to confirm the necessary recess/projection (based on individual magneto type) of the stop pin. If the stop pin installation depth is not in compliance with the dimension shown in Figures 1 through 6, the magneto must be replaced with a new or serviceable unit that is in compliance with this service bulletin.
 - C. Repeat this inspection every 500 hours TIS, until end of product life.

THIS DOCUMENT SUBJECT TO THE CONTROLS AND RESTRICTIONS ON THE FIRST PAGE

ISSUED			REVISED			Champion Aerospace LLC 1230 Old Norris Road Liberty, SC/USA 29657 ©2021 Champion Aerospace LLC	PAGE NO.	REVISION
MO	DAY	YR	MO	DAY	YR			
02	06	19	12	28	21	2 of 8	A	



USE A CALIBRATED MEASURING DEVICE TO MEASURE DISTANCE "A", AS SHOWN IN CUTAWAY SECTIONS B-B AND C-C. MAKE SURE THE FRAME SURFACE IS FREE OF CONTAMINANTS. ANY MEASUREMENT GREATER THAN 0.130 INCH OF ANY PART OF THE STOP PIN (3), THE MAGNETO SHOULD BE REMOVED FROM SERVICE AND RETURNED TO CHAMPION FOR WARRANTY.

FIGURE 1. MAGNETO FRAME CUTAWAY SECTIONS B-B AND C-C

THIS DOCUMENT SUBJECT TO THE CONTROLS AND RESTRICTIONS ON THE FIRST PAGE

ISSUED			REVISED		
MO	DAY	YR	MO	DAY	YR
02	06	19	12	28	21

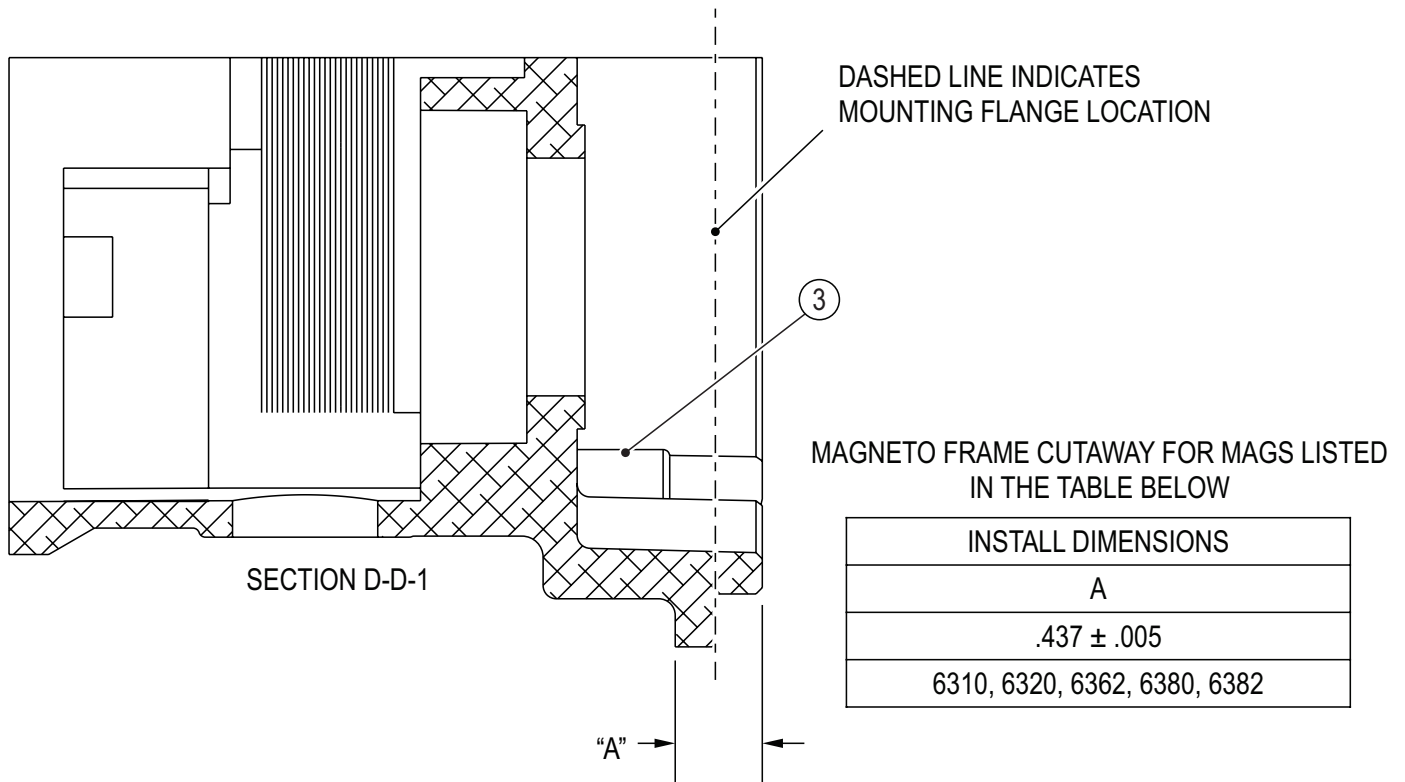
Champion Aerospace LLC
1230 Old Norris Road
Liberty, SC/USA 29657
©2021 Champion Aerospace LLC

PAGE NO.

REVISION

3 of 8

A



USE A CALIBRATED MEASURING DEVICE TO MEASURE DISTANCE "A", AS SHOWN IN CUTAWAY SECTION D-D-1. MAKE SURE THE FRAME SURFACE IS FREE OF CONTAMINANTS. ANY MEASUREMENT LESS THAN 0.432 INCH OF ANY PART OF THE STOP PIN (3), THE MAGNETO SHOULD BE REMOVED FROM SERVICE AND RETURNED TO CHAMPION FOR WARRANTY.

FIGURE 2. MAGNETO FRAME CUTAWAY SECTION D-D-1

THIS DOCUMENT SUBJECT TO THE CONTROLS AND RESTRICTIONS ON THE FIRST PAGE

ISSUED			REVISED		
MO	DAY	YR	MO	DAY	YR
02	06	19	12	28	21

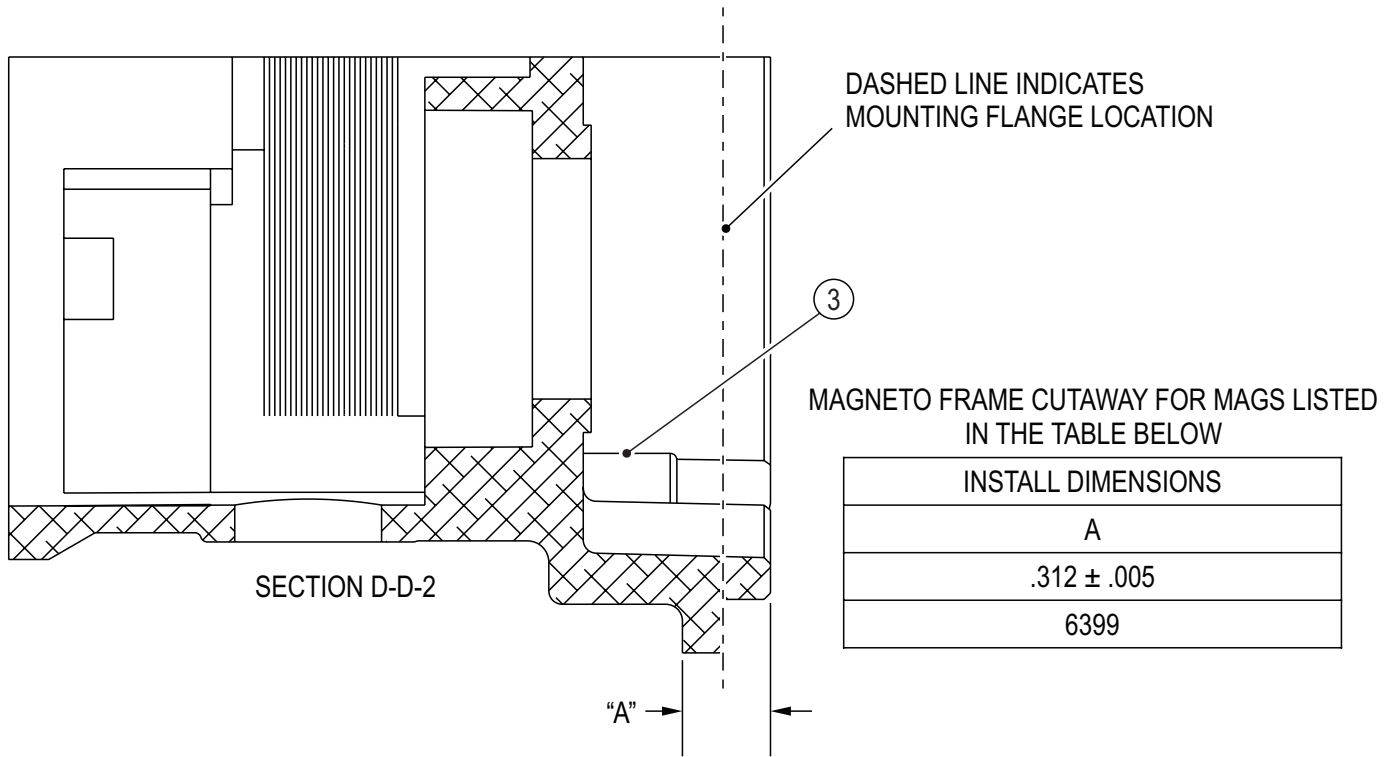
Champion Aerospace LLC
1230 Old Norris Road
Liberty, SC/USA 29657
©2021 Champion Aerospace LLC

PAGE NO.

REVISION

4 of 8

A



USE A CALIBRATED MEASURING DEVICE TO MEASURE DISTANCE "A", AS SHOWN IN CUTAWAY SECTION D-D-2. MAKE SURE THE FRAME SURFACE IS FREE OF CONTAMINANTS. ANY MEASUREMENT LESS THAN 0.307 INCH OF ANY PART OF THE STOP PIN (3), THE MAGNETO SHOULD BE REMOVED FROM SERVICE AND RETURNED TO CHAMPION FOR WARRANTY.

FIGURE 3. MAGNETO FRAME CUTAWAY SECTION D-D-2

THIS DOCUMENT SUBJECT TO THE CONTROLS AND RESTRICTIONS ON THE FIRST PAGE

ISSUED			REVISED		
MO	DAY	YR	MO	DAY	YR
02	06	19	12	28	21

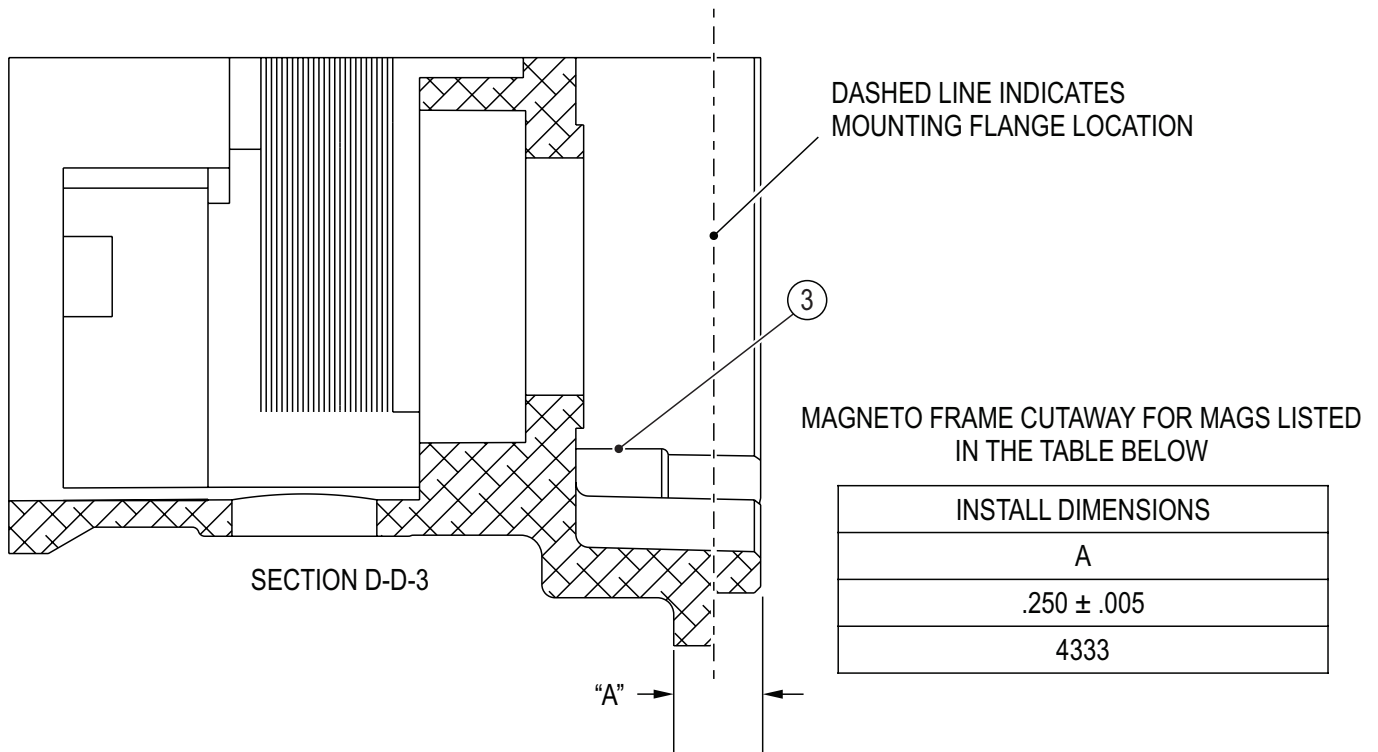
Champion Aerospace LLC
1230 Old Norris Road
Liberty, SC/USA 29657
©2021 Champion Aerospace LLC

PAGE NO.

REVISION

5 of 8

A



USE A CALIBRATED MEASURING DEVICE TO MEASURE DISTANCE "A", AS SHOWN IN CUTAWAY SECTION D-D-3. MAKE SURE THE FRAME SURFACE IS FREE OF CONTAMINANTS. ANY MEASUREMENT LESS THAN 0.245 INCH OF ANY PART OF THE STOP PIN (3), THE MAGNETO SHOULD BE REMOVED FROM SERVICE AND RETURNED TO CHAMPION FOR WARRANTY.

FIGURE 4. MAGNETO FRAME CUTAWAY SECTION D-D-3

THIS DOCUMENT SUBJECT TO THE CONTROLS AND RESTRICTIONS ON THE FIRST PAGE

ISSUED			REVISED		
MO	DAY	YR	MO	DAY	YR
02	06	19	12	28	21

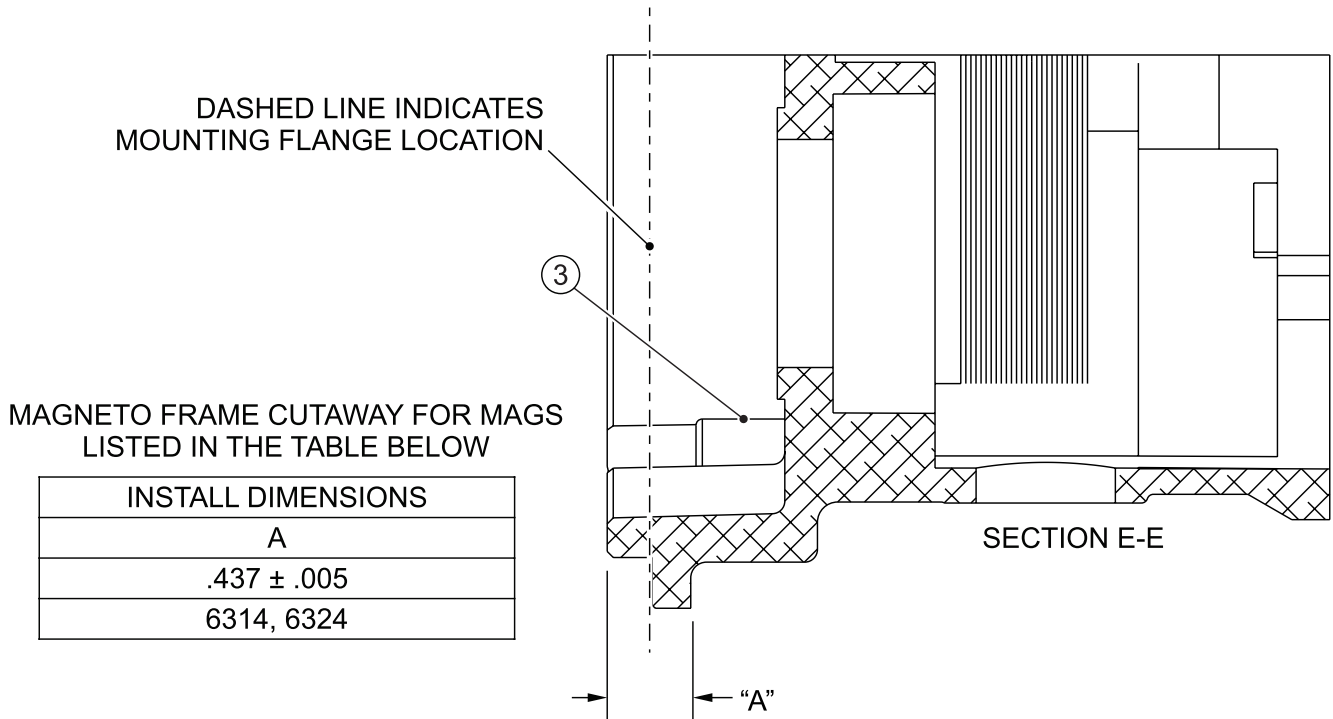
Champion Aerospace LLC
1230 Old Norris Road
Liberty, SC/USA 29657
©2021 Champion Aerospace LLC

PAGE NO.

REVISION

6 of 8

A



USE A CALIBRATED MEASURING DEVICE TO MEASURE DISTANCE "A", AS SHOWN IN CUTAWAY SECTION E-E. MAKE SURE THE FRAME SURFACE IS FREE OF CONTAMINANTS. ANY MEASUREMENT LESS THAN 0.432 INCH OF ANY PART OF THE STOP PIN (3), THE MAGNETO SHOULD BE REMOVED FROM SERVICE AND RETURNED TO CHAMPION FOR WARRANTY.

FIGURE 5. MAGNETO FRAME CUTAWAY SECTION E-E

THIS DOCUMENT SUBJECT TO THE CONTROLS AND RESTRICTIONS ON THE FIRST PAGE

ISSUED			REVISED		
MO	DAY	YR	MO	DAY	YR
02	06	19	12	28	21

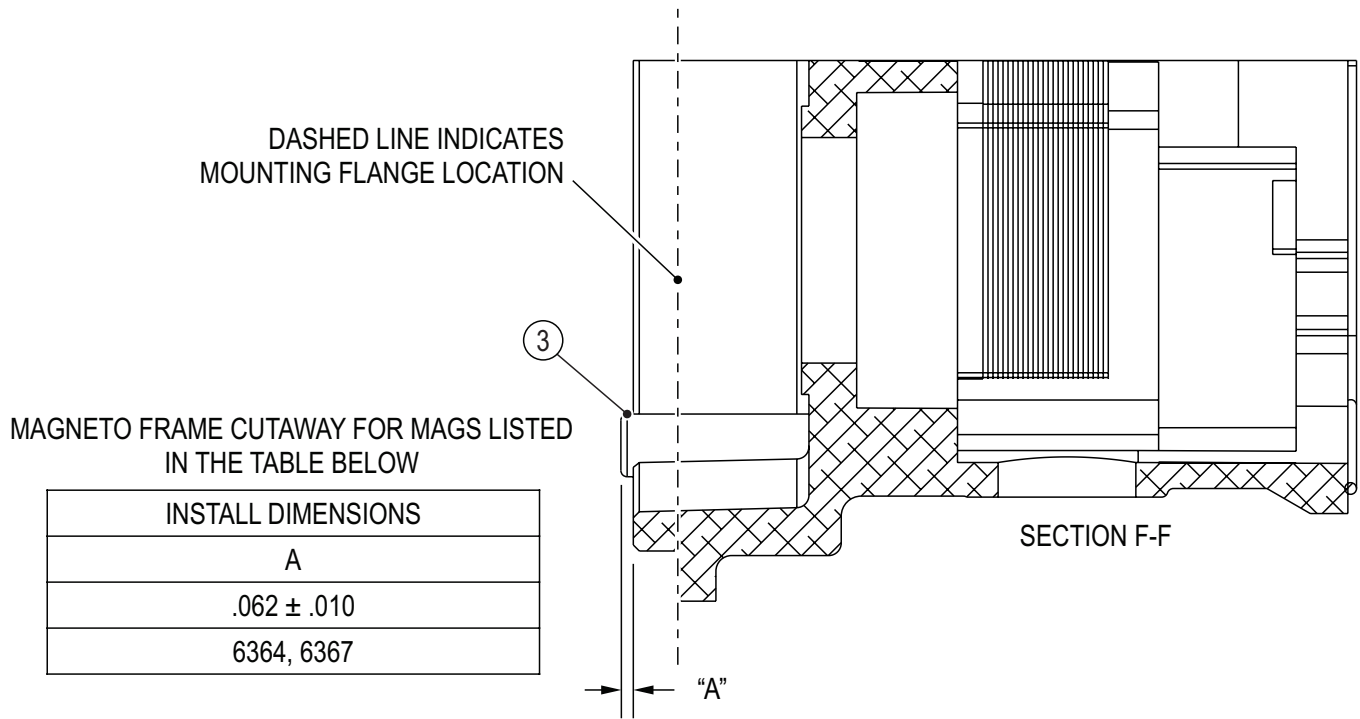
Champion Aerospace LLC
1230 Old Norris Road
Liberty, SC/USA 29657
©2021 Champion Aerospace LLC

PAGE NO.

REVISION

7 of 8

A



USE A CALIBRATED MEASURING DEVICE TO MEASURE DISTANCE "A", AS SHOWN IN CUTAWAY SECTION F-F. MAKE SURE THE FRAME SURFACE IS FREE OF CONTAMINANTS. ANY MEASUREMENT GREATER THAN .072 INCH OF ANY PART OF THE STOP PIN (3), THE MAGNETO SHOULD BE REMOVED FROM SERVICE AND RETURNED TO CHAMPION FOR WARRANTY.

FIGURE 6. MAGNETO FRAME CUTAWAY F-F

THIS DOCUMENT SUBJECT TO THE CONTROLS AND RESTRICTIONS ON THE FIRST PAGE

ISSUED			REVISED		
MO	DAY	YR	MO	DAY	YR
02	06	19	12	28	21

Champion Aerospace LLC
1230 Old Norris Road
Liberty, SC/USA 29657
©2021 Champion Aerospace LLC

PAGE NO.

REVISION

8 of 8

A



AEROSPACE™

SB1-19A Repair Authorization Form

This form must be completed in full and returned with the affected magneto. Please contact Champion Support at slicksupport@champaero.com with any questions regarding eligibility or the return process.

Questions / Eligibility:

- 1. Has the required inspection been performed on this magneto? Yes No
- 2. Did this unit fail the required inspection (rivets were found loose)? Yes No
- 3. Is the magneto within the affected range? Yes No
- 4. Have you removed any drive gears or other attached accessories? Yes No

Unit is not authorized to return for repair if you have answered “no” to any of the above questions.

Ship to Information: Champion Aerospace LLC., 5746 East Apache St, Tulsa, OK 74115

Contact Information:

Name: _____

Phone and/or Email: _____

Return Shipping Address: _____

Magneto Information:

Model Number: _____

Serial Number: _____

Time-in-Service: _____

Engine Model: _____

SPARK ✦ IGNITE ✦ EXCITE

1230 Old Norris Rd • Liberty, SC • 26957