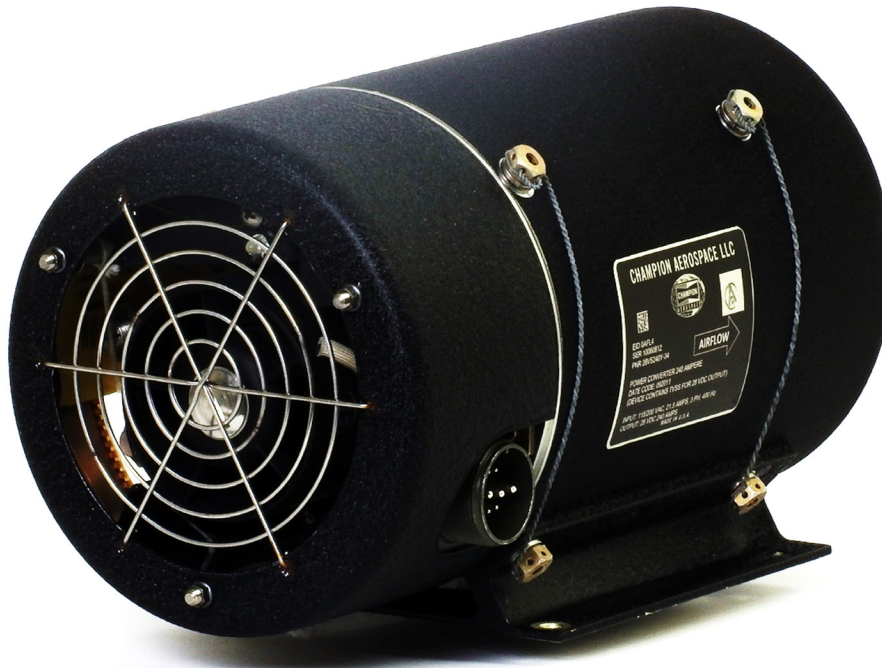
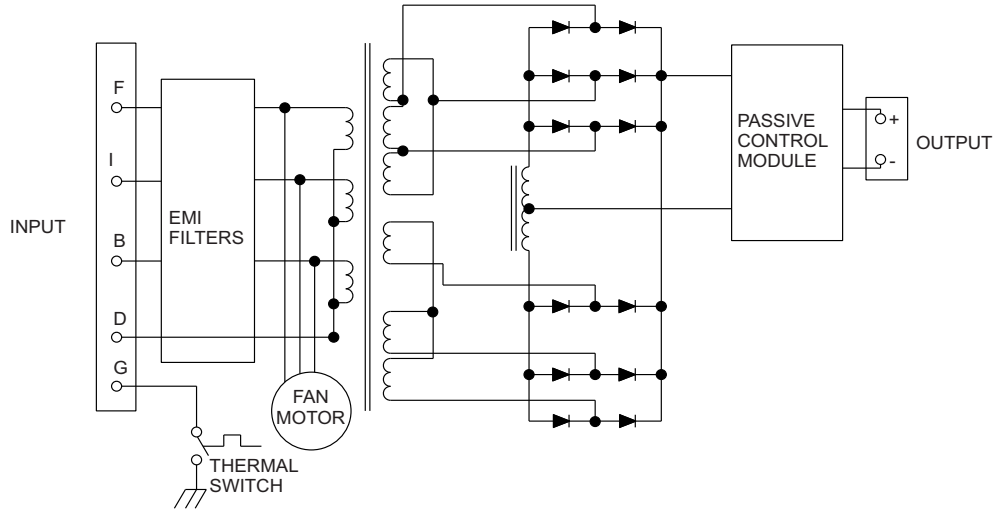

TECHNICAL NOTES

The Model 28VS240Y-34 is an exceptionally adaptable unit permitting flexibility in the choice of location of the mounting base in any of four quadrants around its circumference. Fan cooling allows the unit to be mounted in any position; input and output connection locations and mounting provisions may be varied to meet special requirements.

This unit features a unique Class H delta-wye transformer, which is electrically and magnetically symmetrical, and provides for a cooler, less noisy operation. The housing and circular heat sinks are constructed of extruded aluminum for exceptional rigidity. Special aircraft type silicon diodes manufactured for Champion Aerospace, LLC. assure operational dependability. Internal radio noise filtering meet all provisions of MIL-P-26600 and MIL-I-6181. This unit is designed to and meets all requirements of MIL-P-26517, MIL-C-7115, and MIL-STD-704A-F.



PROPRIETARY STATEMENT

The information contained in this document is proprietary property of Champion Aerospace LLC. Receipt or possession of this information does not confer, license or imply any rights to use, sell or manufacture from this information. No reproduction or publication, in whole or in part, shall be made without the express written consent of Champion Aerospace LLC. All information is covered under full protection of the United States copyright laws.